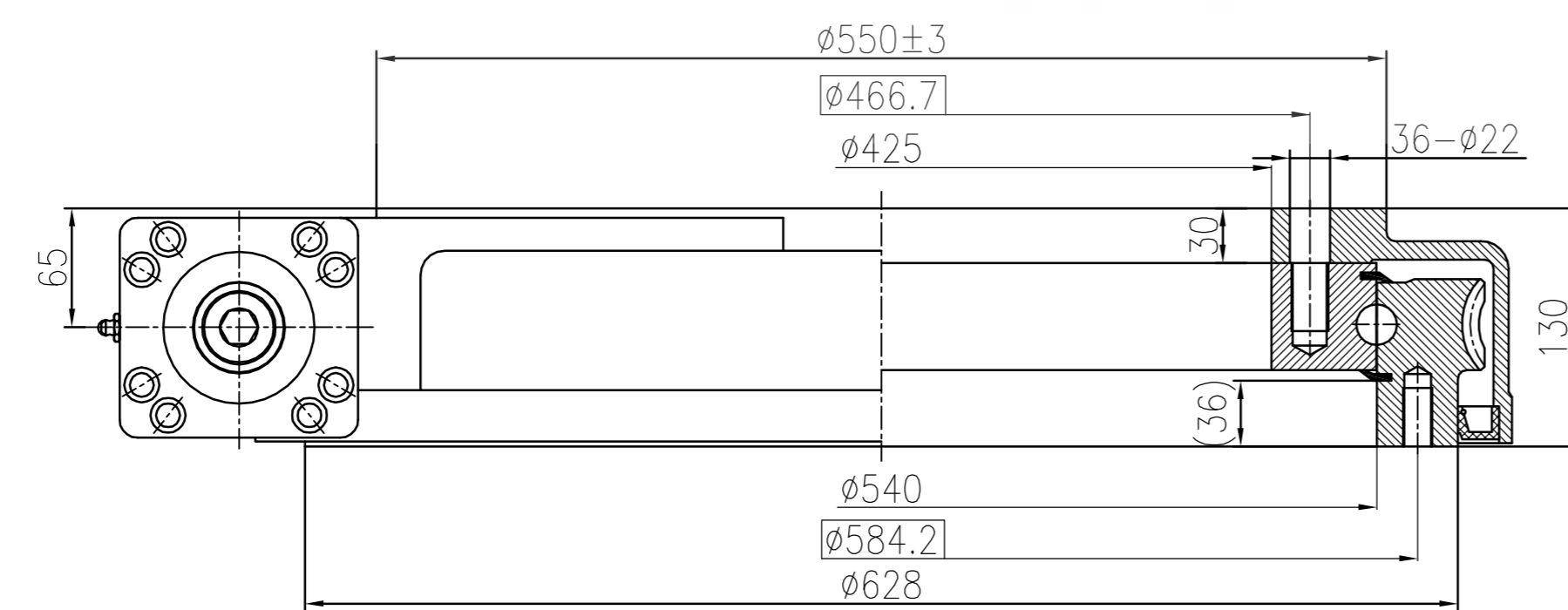
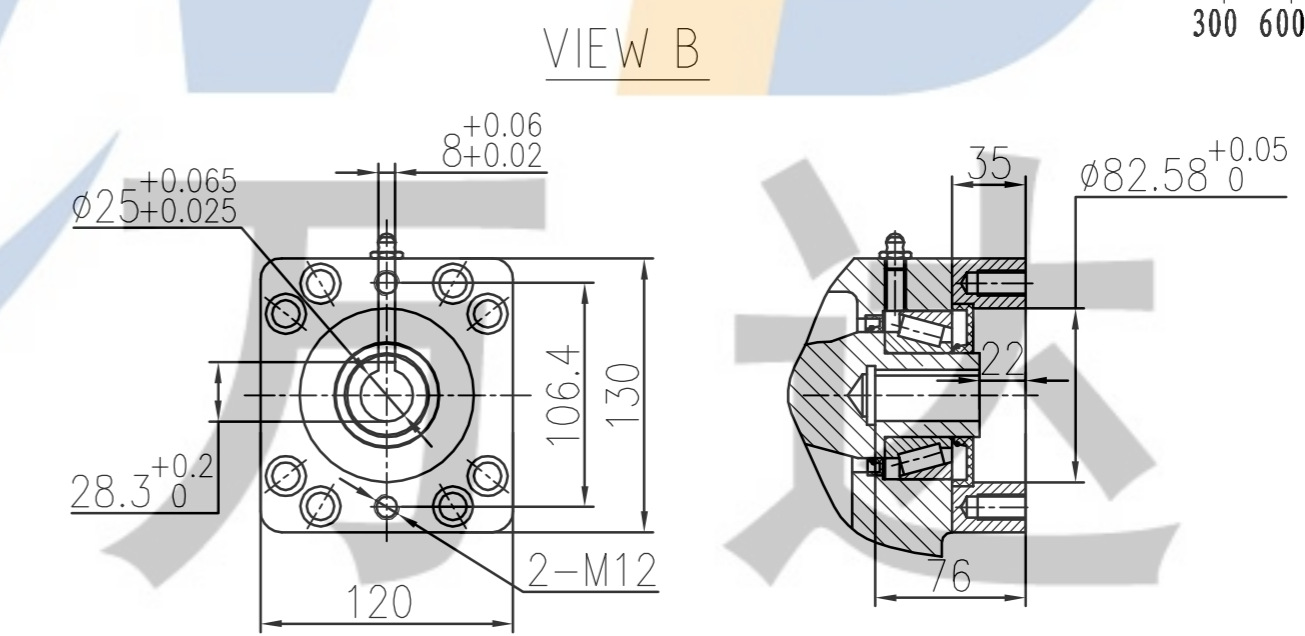
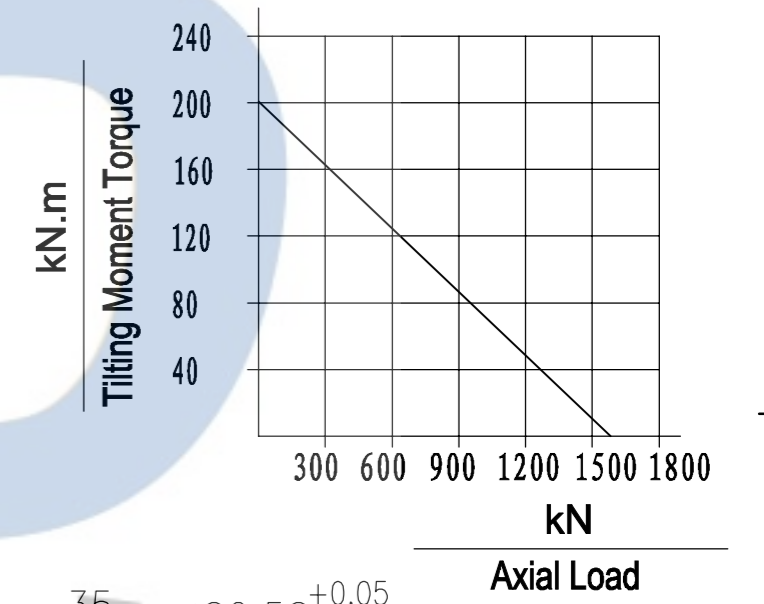
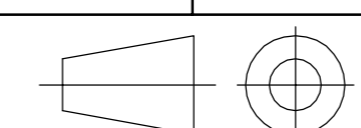


Slewing Drive Performance Data	
Gear Ratio	90:1
Rated Output Torque	28.7kN.m
Tilting Moment Torque	203kN.m
Holding Torque	105.8kN.m
Static Axial Rating	1598kN
Static Radial Rating	596kN
Dynamic Axial Rating	340kN
Dynamic Radial Rating	270kN
Tracking Precision	≤0.1°
Self Locking Gears	YES
Weight	172kg
Rated Output Speed	<1.5 rpm

MOMENT LOAD CHART  
Axial Load & Tilting Moment



REV	DATE	REVISER	DESCRIPTION		
DESIGNED BY			Xuzhou Wanda Slewing Bearing Co.,Ltd.		
CHECKED BY			www.slew-bearing.com		
APPROVED BY			Tel: +86-516-83309366 Fax: +86-516-83915766		
ALL PROPRIETARY RIGHTS IN THE SUBJECT MATTER HERE OF ARE RESERVED, AND NO PERMISSION IS GRANTED OR TO DISCLOSE REPRODUCE THIS PRINT IN WHOLE OR IN PART, ANY OF THE INFORMATION TO OTHERS.			WEIGHT	SCALE	SLEWING DRIVE
SYMBOL ISO			SIZE	1/1	
			SHEET	1/1	WEA21-90-H-25R